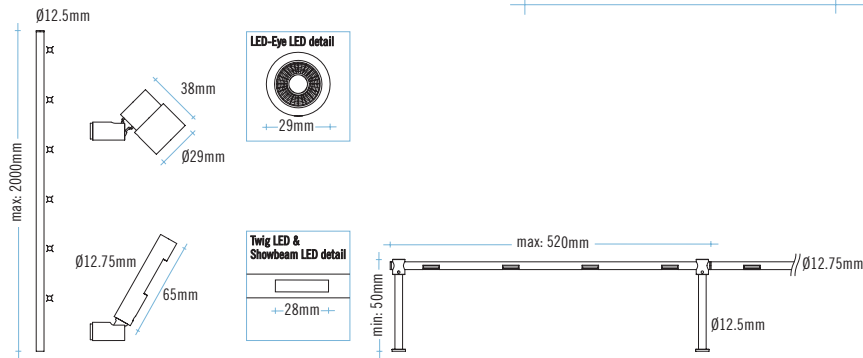


# show showbeam showcase LED



LED-Eye  
Twig/LED

17° or 28° 3.5 Watt  
LED  
Warm 2700/3500°K  
Cool 4000/5000°K

Showbeam/LED

110° 3.5 Watt  
LED  
Warm 3500°K



Qeelin, Selfridges London/  
Giddings Design

Showbeam/LED/polished chrome

## SHOWBEAM/LED

Design: Aktiva, 2008  
Manufacture: Aktiva, London.

New linear multi-LED display lighting system. 4 x 3.5 Watt LED's mounted within a slim Ø12mm x 500mm length fitting. Modular; may be joined together in series. Shade option available.

## SHOWCASE/LED

Design: Aktiva  
Manufacture: Aktiva, London.

LED fitting for showcase and other display case applications. Available with up to 6 spotlights on each stem and a variety of head options.



Showbeam/LED/polished chrome



Showbeam/LED/shade



Twig/LED/3/polished chrome



LED-Eye/silver - head detail



Twig/LED/satin chrome - head detail

### LED

LED-Eye,  
Twig/LED &  
Showbeam/LED 350mA 3.5 Watt with wide range of colour temperatures from 2700°K to 5000°K

### DRIVERS

LED-Eye, Twig & Showbeam supplied with remote high-flux & constant current drivers

3W	1 LED Max	350mA
10W	2 LED Max	350mA
20W	5 LED Max	350mA

Aktiva will only offer a warranty on its LED fittings where recommended drivers are used. Alternatives; please provide full specification for an evaluation of compatibility. For further information and wiring/installation details contact Aktiva.

### OPTIONS

/e3	fixing for non-standard height stems.
/f/e	surface fixing.
/LED-Eye	showcase lamping option with excellent directional output. 11°, 16° 28° beam angle options. Ø12.5mm stem maximum height 2000mm, 4-8 heads per fitting.
/o	allthread fixing.
/Twig/LED	showcase fitting with twig led head Ø12.5mm stem maximum height 2000mm, 4-8 heads per fitting.
/w1	panel or through surface fixing.

For full fixing details see FIXINGS sheet.

### FINISHES

standard coated: matt silver, white  
standard plated: polished chrome, satin chrome  
Special coated and plated finishes available on request.