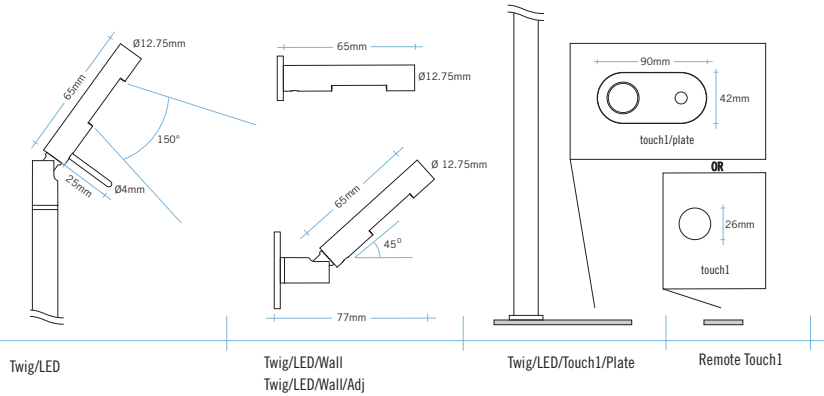


show twig LED



Natural History Museum Shop/
Small Back Room + INTO Lighting

Twig/LED/chrome

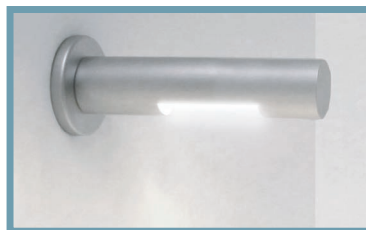
SHOW/TWIG/LED

Design: Dennis Ing, 2008

Twig/LED for open access and heat sensitive applications. Same size and functions as Twig/12V Halogen but offered with touch switch option as superslim desk light. Also useful in display cabinets where lower temperature environment is required.



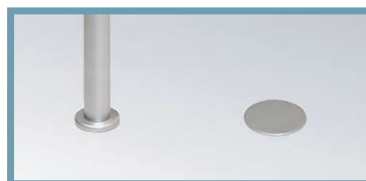
Twig/LED/Desk/Control/Touch1/Plate/polished chrome



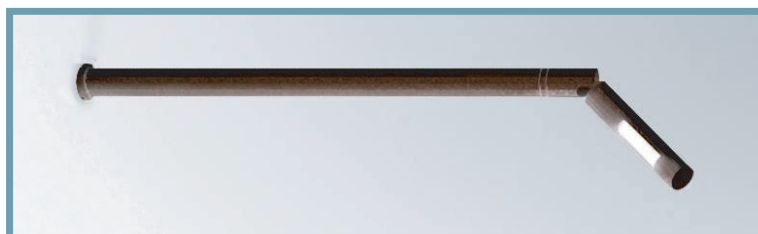
Twig/LED/Wall/satin chrome



Twig/LED/Wall/Adj/polished chrome



Remote Touch1/satin chrome



Twig/LED/Display/bronze

LED

3.5 Watt LED with 150° angled illumination. 3500°K colour temperature. Available with the following drivers:

DRIVERS

Aktiva will only warranty its LED fittings where recommended drivers are used. For further information and wiring/installation details contact Aktiva.

/Twig/LED	akt/PTDCC/3/350	1 x Twig/LED
	akt/PTDCC/10/350/b	1-2 x Twig/LED
	akt/PTDCC/15/350	1-4 x Twig/LED

OPTIONS

DESK	
/control	control arm
/desk	Ø12.5mm 450mm overall height
/touch1	remote on/off touch switch
/touch1/plate	integral on/off touch switch
DISPLAY	
/display	294mm with Ø12.5mm stem
/tall	Ø12.5mm with overall heights: 294mm & 218mm
/wall	fixed wall
/wall/adj	adjustable wall
/w1	Ø22mm washer fixing
/f1	Ø40mm surface fixing
/e3	fixing for non-standard height stems

see fixings datasheet for further details

FINISHES

standard coated: white, silver
standard plated: polished chrome, satin chrome
other finishes available on request