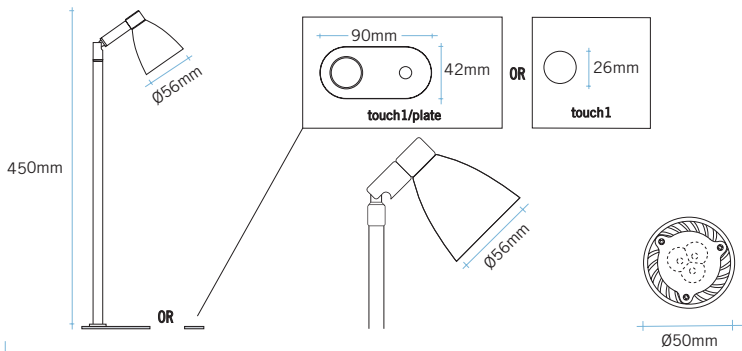


show light AL-07 LED



AL-07/LED2/Touch1/Plate
AL-07/LED2/Touch1

AL-07/LED2

5W compact LED 2



AL-07/LED2 - Detail

SHOW/AL-07/LED

Design: Aktiva, 2006
Manufacture: Aktiva, London.

Fully adjustable 90° tilt and 360° rotation LEDstem light. Very effective light source for desk and display lighting applications.

LED

Aktiva will only warrant its LED fittings where recommended drivers are used. For further information and wiring/installation details contact Aktiva.

LED 2

12V Bell 5 Watt power LED 3 module cluster with 38° beam angle. Warm White 2700°K or Cool White 4000°K. GU5.3 connection pins. May be retro-fitted into 12V fittings with GU5.3 lampholders. Supplied with the following remote driver.

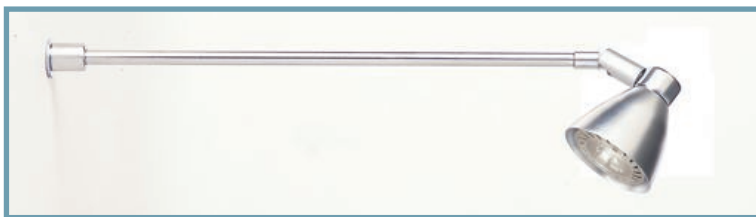
AL-07/LED2 akt/PTDC/3/12v 1 x AL-07/LED2

OPTIONS

| | |
|---------------|---|
| /control | control arm |
| /e1 | fixing to permit non-standard stem length |
| /f | surface fixings |
| /g/LED | surface mounted integral driver |
| /...mm | standard stem lengths 200mm 300mm |
| /touch1 | remote on/off touch switch |
| /touch1/plate | integral on/off touch switch |
| /o | allthread fixing |
| /w | washer or panel fixing |

FINISHES

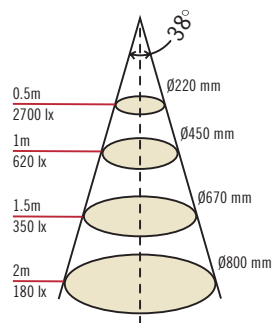
standard coated: white, silver
standard plated: polished chrome, satin chrome
other finishes may be requested



AL-07/LED2/Display/w



AL-07/LED2/Desk/Touch1/Plate



LED 2 Lux Levels



Remote Touch1