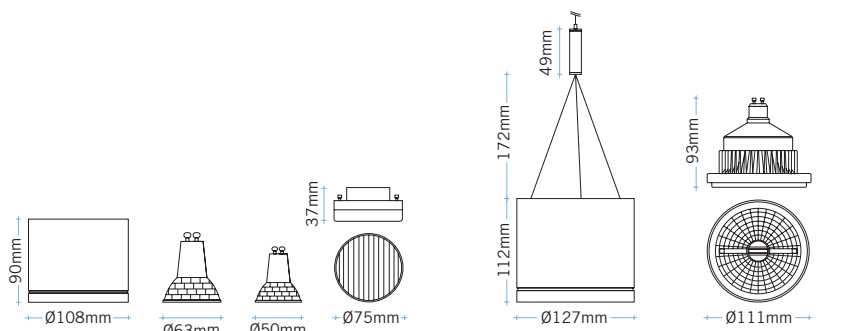


round three mains



round three/1

**GU10
base reflector halogen**
75W
**GU10
base reflector halogen**
35W
50W

**round three/2
GX53
fluorescent microlynx**
230/240V
9W
13W

**round three/111
round three/111/Pendant**

AR111 GU10 LED reflector
230/240V
15W
24°



round three/1

ROUND THREE

Design: Hamilton Tucknott
Ferhan Azman 2004

A ceiling surface mounted downlight with high build quality. Extruded 3.4mm thick aluminium casing. Halogen and energy-efficient fluorescent lamp options. Compact length and depth.

LAMPS

ROUND THREE/1
240V Ø50mm 35W/50W GU10 Base Reflector Halogen
240V Ø63mm 75W GU10 Base Reflector Halogen

ROUND THREE/2
230/240V 9W GX53 base compact fluorescent
230/240V 13W GX53 base compact fluorescent

ROUND THREE/111

Design: Aktiva 2010

A ceiling surface mounted or pendant wire suspension spotlight with powerful 15Watt (12v 35W halogen equivalent) LED light source. High build quality – extruded 6.4mm thick aluminium casing.

LIGHT SOURCE

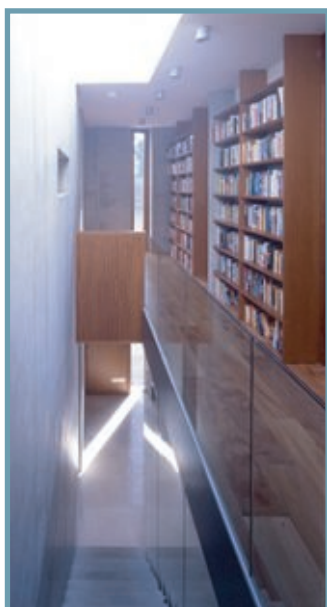
ROUND THREE/111
230/240V megaman 15W GU10 Base AR111 LED Reflector. 30,000 hour light life.
2800°K warm white
4000°K cool white

OPTIONS

/pendant pendant version with adjustable wire suspension
/ceiling ceiling version

FINISHES

Standard coated: matt silver, white
Special coated and plated finishes available.



azman associates/
aberdeen lane london

round three/1



azman associates/
riba cafe london

round three/1



round three/111/pendant



round three/111