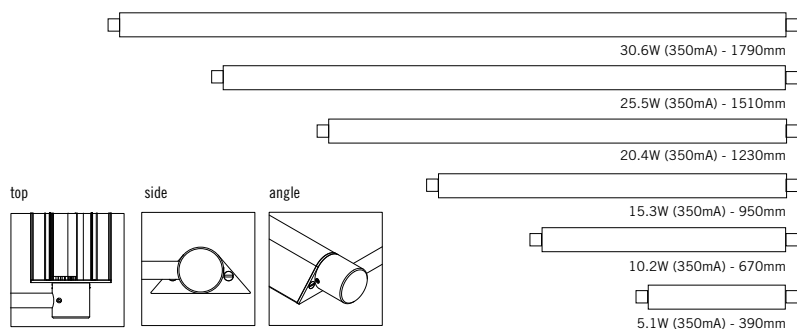


b-line LED

1by1 wave
2by2 wave



b-line/LED/1by1/wave
b-line/LED/2by2/wave
details

b-line/LED/1by1/wave
b-line/LED/2by2/wave
lengths



b-line/LED/2by2/wave - detail - satin stainless steel effect

B-LINE/LED/1by1/wave

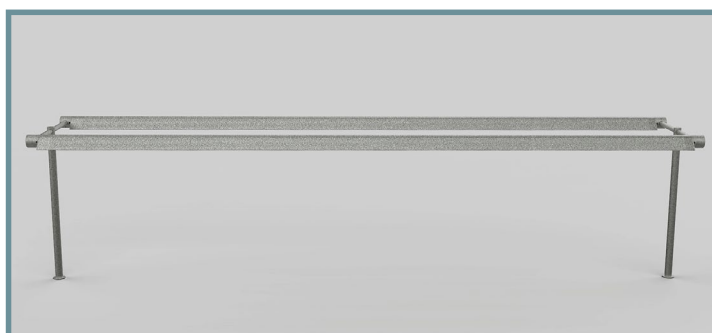
Design: Aktiva, 2014

B-Line/LED/1By1/Wave offers glare-free wider spread beam shade version of this 1-sided desk fitting. All features of the high performance/100 lumens per watt original B-Line: can be joined in multiples, tailored lengths, lockable shade adjustment and comprehensive colour temperature options.

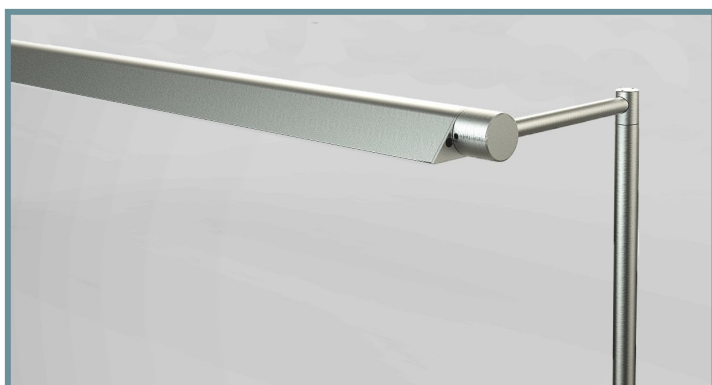
B-LINE/LED/2by2/wave

Design: Aktiva, 2014

B-Line/LED/2By2/Wave offers glare-free shade for double-sided desk fitting. All features of the high performance/100 lumens per watt original B-Line: can be joined in multiples, tailored lengths, lockable shade adjustment and comprehensive colour temperature options.



b-line/LED/2by2/wave - stainless steel



b-line/LED/1by1/wave - detail



Weston Library
Oxford University
Wilkinson Eyre Architects

b-line/LED/2by2/wave



Weston Library
Oxford University
Wilkinson Eyre Architects

b-line/LED/2by2/wave



Weston Library
Oxford University
Wilkinson Eyre Architects

b-line/LED/1by1/wave

LED

Linear LED producing 100 lumens per Watt* with standard 116° PMMA satin lens. Available in Warm White 2700°K White 3000°K & Cool White 4000°K. LED CRI: 82 – 84.

Length	Wattage	Voltage (d.c)	Total Luminous Output	
			3000°K	4000°K
390 mm	5.1 W	15 V	590 lm	627 lm
670 mm	10.2 W	30 V	1179 lm	1254 lm
950 mm	15.3 W	45 V	1769 lm	1882 lm
1230 mm	20.4 W	60 V	2358 lm	2509 lm
1510 mm	25.5 W	75 V	2948 lm	3136 lm
1790 mm	30.6 W	90 V	3538 lm	3763 lm

DRIVERS

AKT/350-240-56V-C	390–950mm b-line/LED (350mA)
AKTS ECXe 350.028 186226	1510mm+ b-line/LED (350mA)

Higher 350mA output, 500mA & 700mA available on application.

OPTIONS

/multiple	x2 x3 x4..... in continuous run
/press/remote	remote on/off press switch
/horizontal support arms	Standard 150mm
/.....mm length	shade/s cut to special lengths
/white warm LED	2700°K colour temperature
/white LED	3000°K colour temperature
/white cool LED	4000°K colour temperature
/w3	Ø30mm washer fixing

See **FIXINGS SHEET** for more details

See **CONTROLS** for more details

FINISHES

Standard Coated: matt silver, white
Standard Plated: satin stainless steel effect, polished chrome, polished brass, brushed brass
Special finishes on request (including bronze coated) on request
See **FINISHES** sheet for details



10 Spring Place Kentish Town London NW5 3BH UK
T +44 (0)207428 9325 F +44 (0)20 7428 9882
W www.aktiva.co.uk E info@aktiva.co.uk

06/18

updates on
aktiva.co.uk